

MCU



File: mcu.kicad_sch

IO_Expansion_Keyboard



File: io_ex_key.kicad_sch

Sound



File: sound.kicad_sch

Power



File: pwr.kicad_sch

Ethernet



File: wifi.kicad_sch

Ports



File: ports.kicad_sch

display



File: display.kicad_sch

CPU

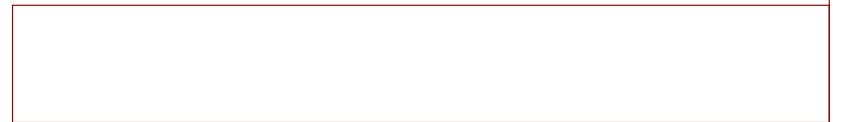


File: CPU.kicad_sch

SD_Card



File: sd_card.kicad_sch



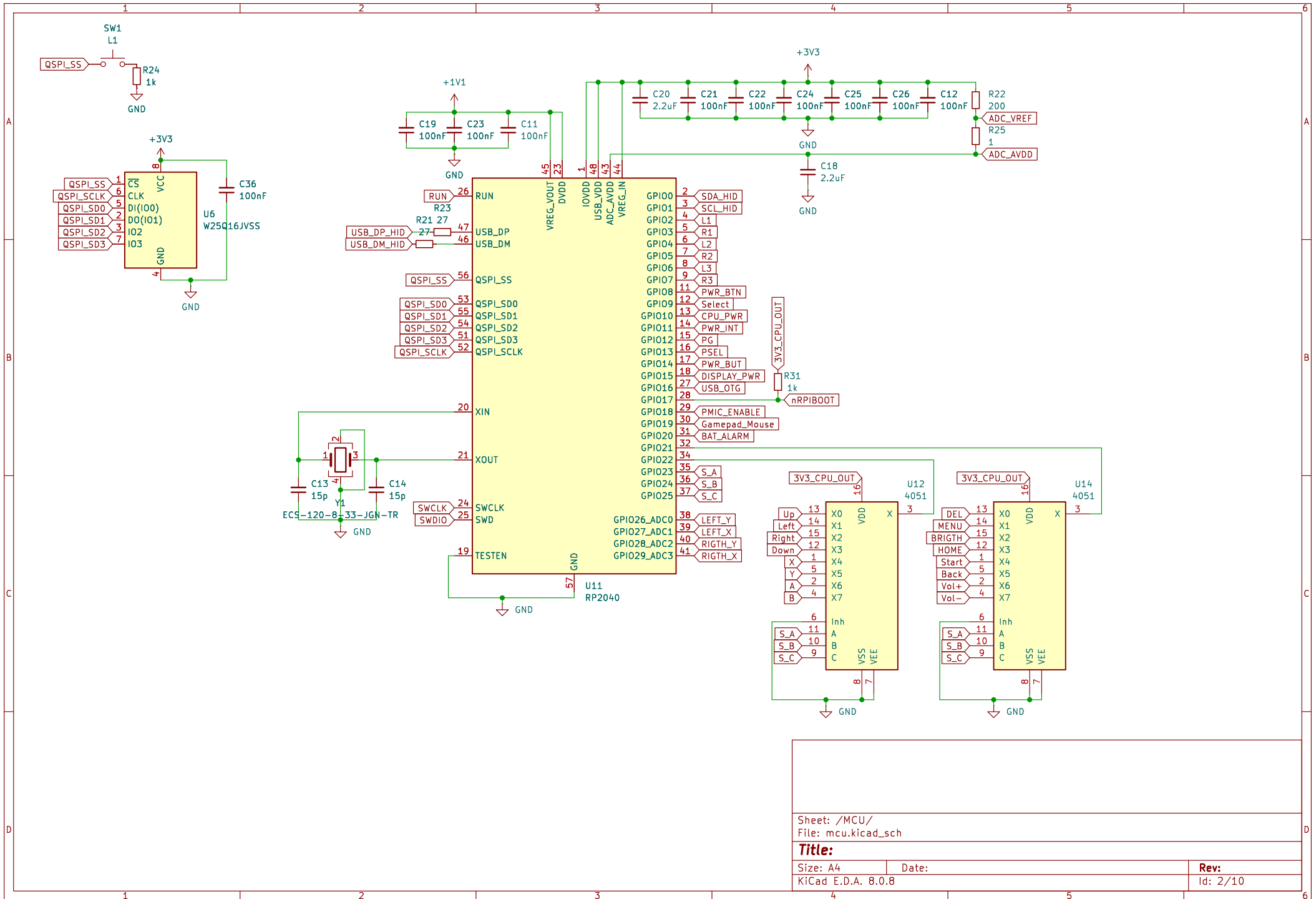
Sheet: /
File: cyberraptor_motherboard.kicad_sch

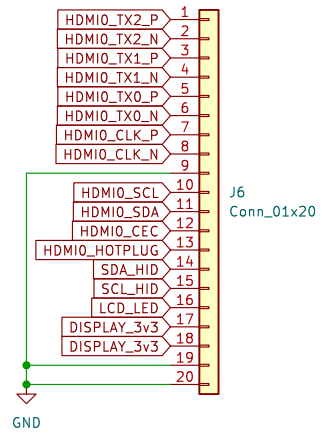
Title:

Size: A4
KiCad E.D.A. 8.0.8

Date:

Rev:
Id: 1/10





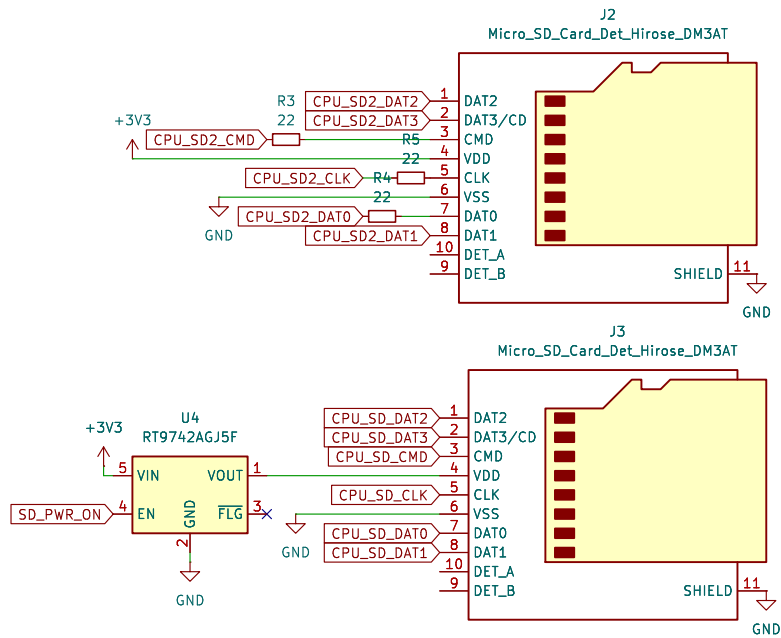
Sheet: /display/
File: display.kicad_sch

Title:

Size: A4
KiCad E.D.A. 8.0.8

Date:

Rev:
Id: 5/10



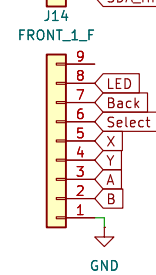
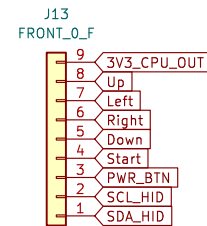
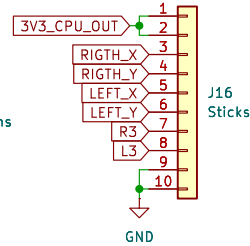
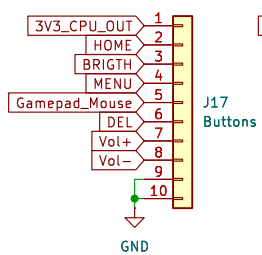
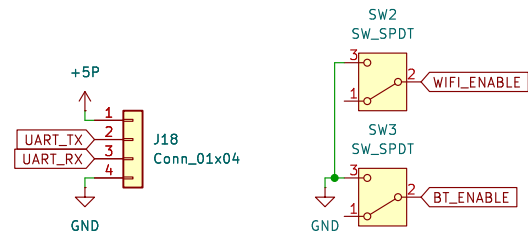
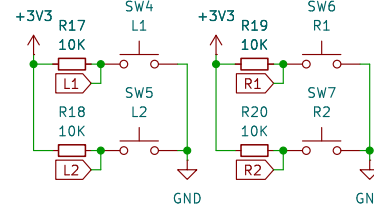
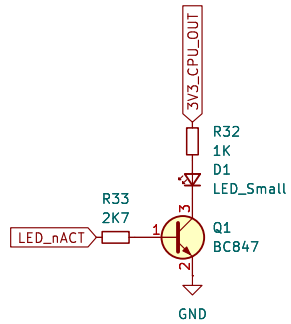
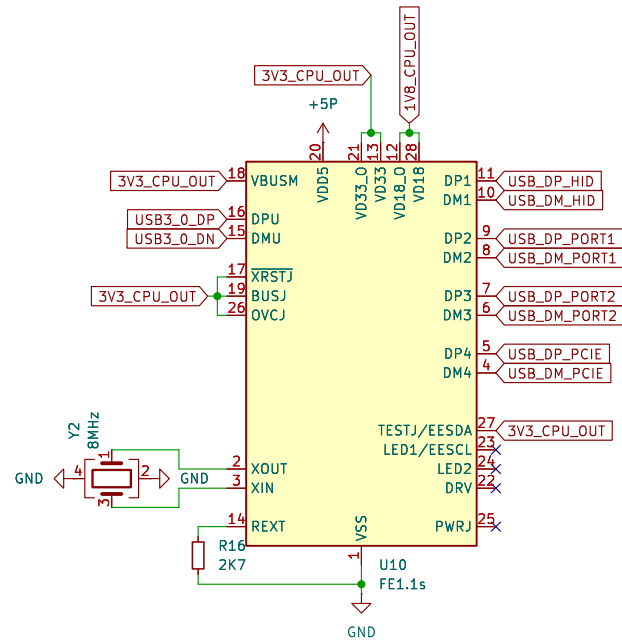
Sheet: /SD_Card/
 File: sd_card.kicad_sch

Title:

Size: A4
 KiCad E.D.A. 8.0.8

Date:

Rev:
 Id: 6/10



Sheet: /IO_Expansion_Keyboard/
File: io_ex_key.kicad_sch

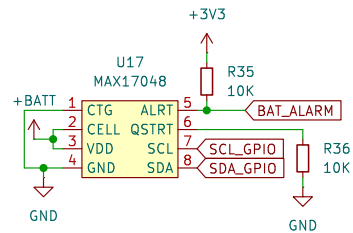
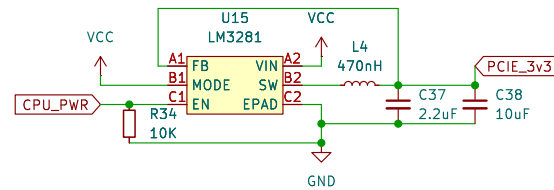
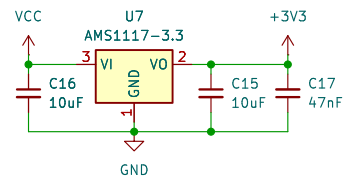
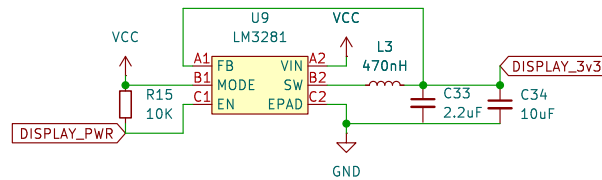
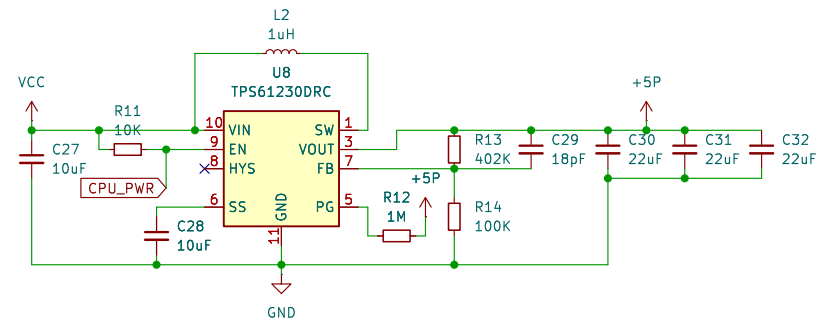
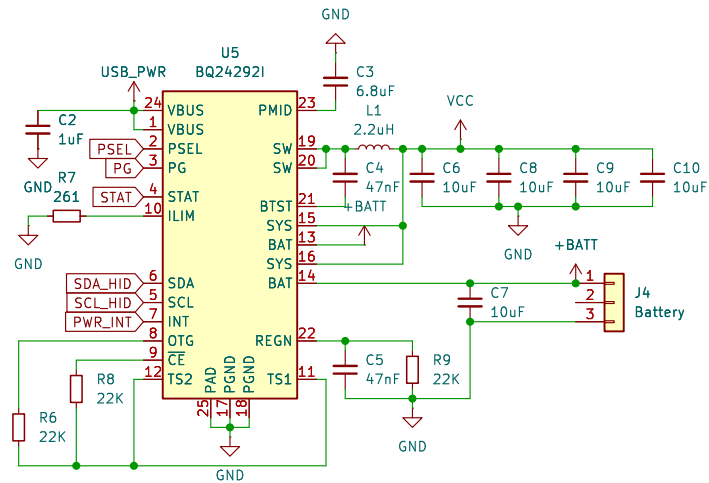
Title:

Size: A4
KiCad E.D.A. 8.0.8

Date:

Rev:

Id: 8/10



Sheet: /Power/
File: pwr.kicad_sch

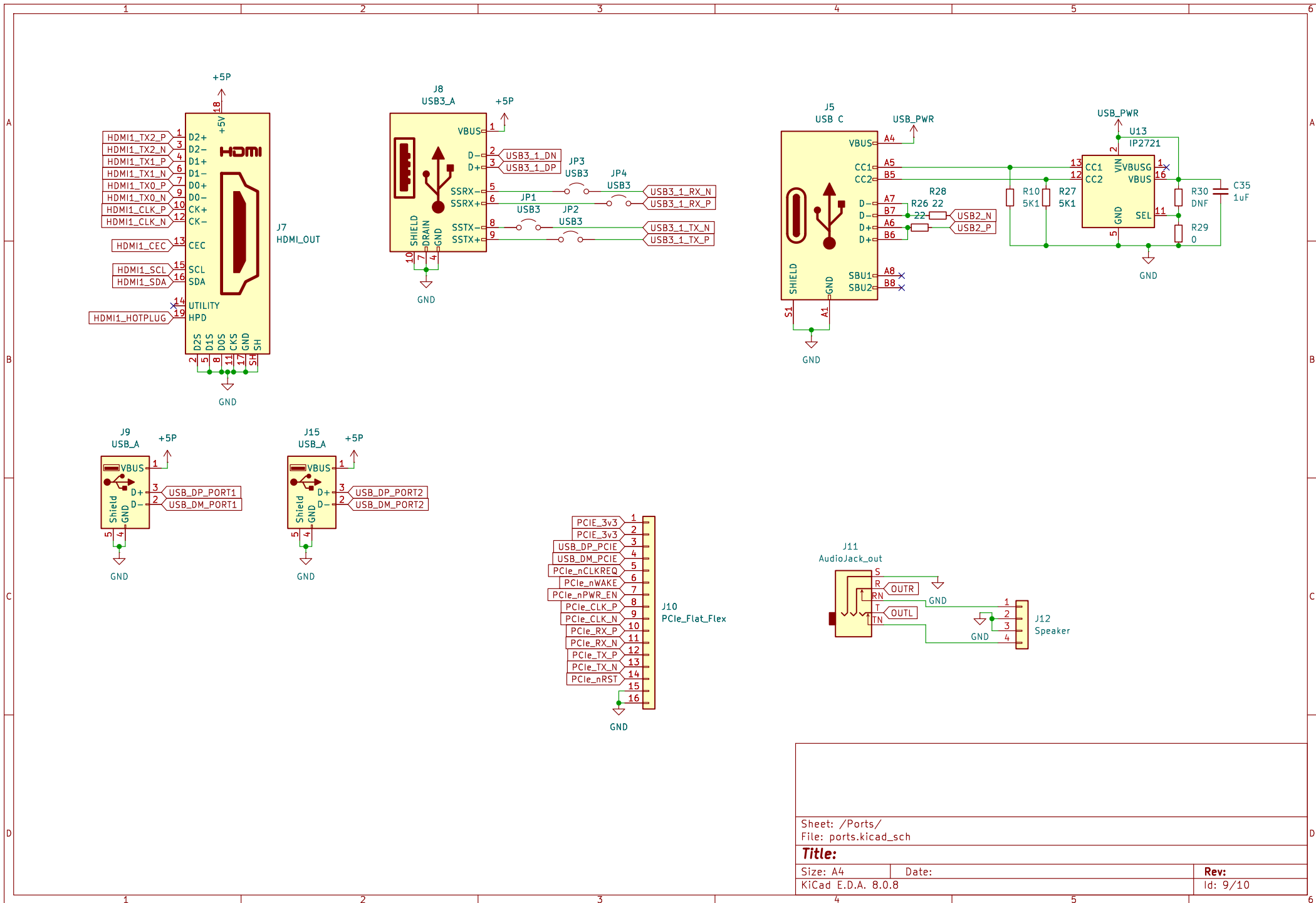
Title:

Size: A4
KiCad E.D.A. 8.0.8

Date:

Rev:

Id: 9/10



Sheet: /Ports/
File: ports.kicad_sch

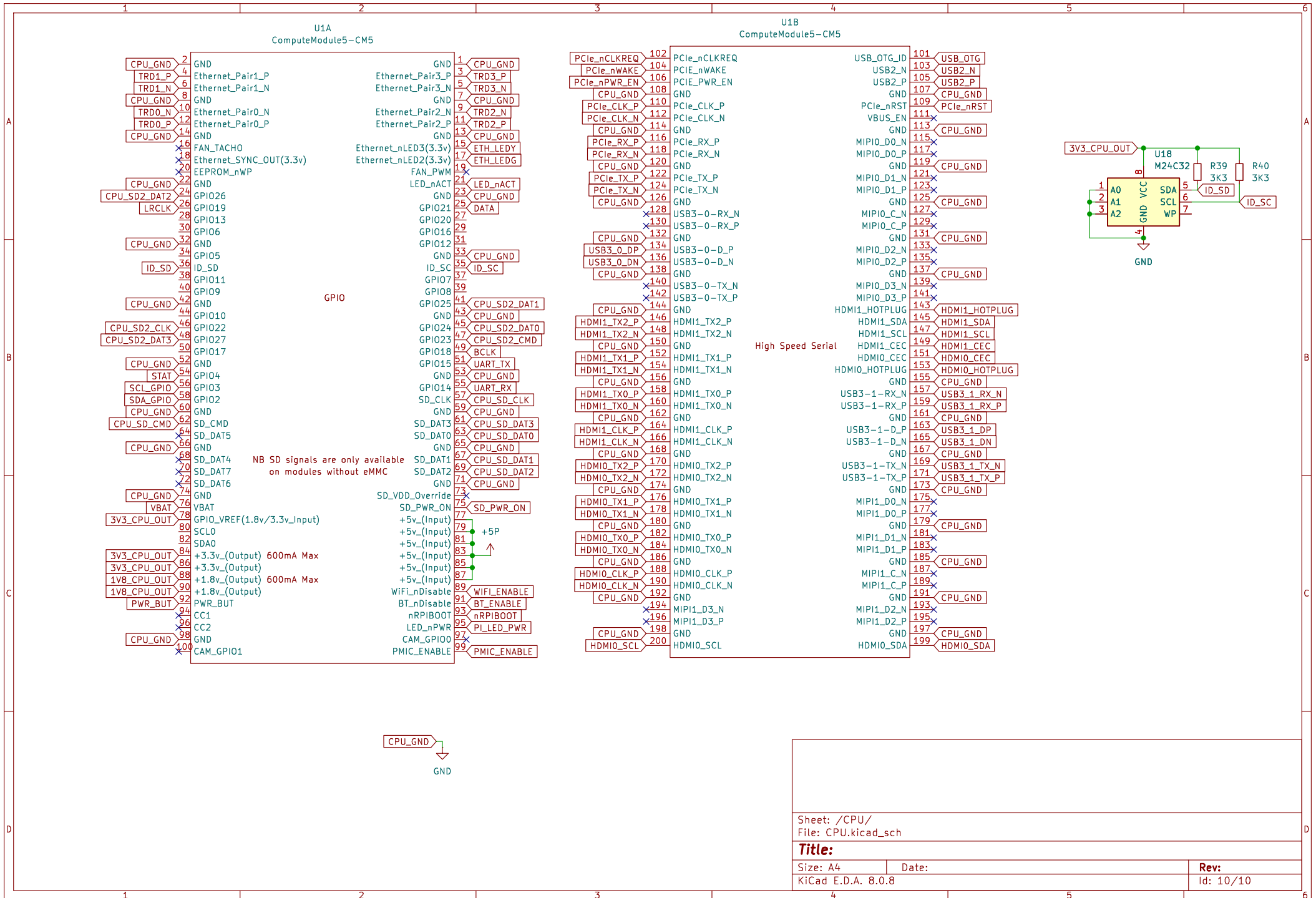
Title:

Size: A4
KiCad E.D.A. 8.0.8

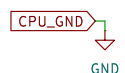
Date:

Rev:

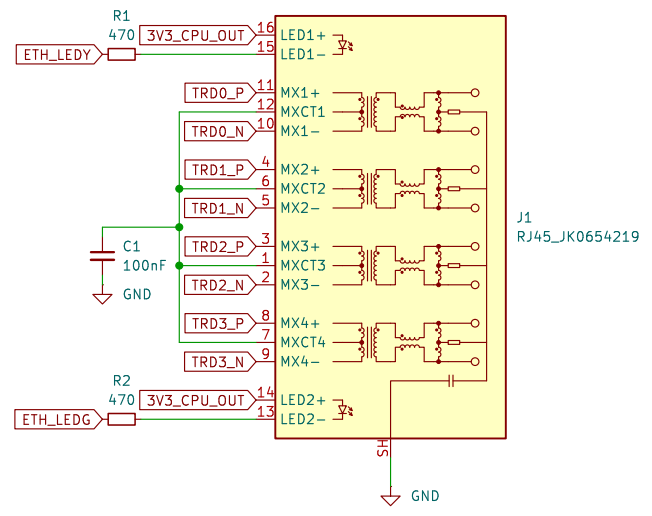
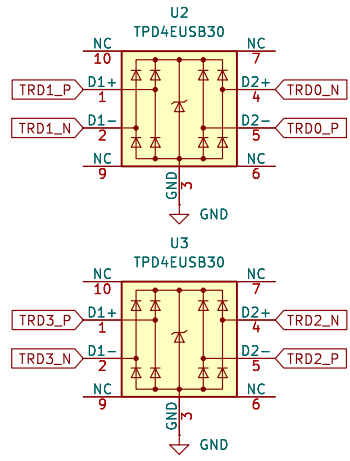
Id: 9/10



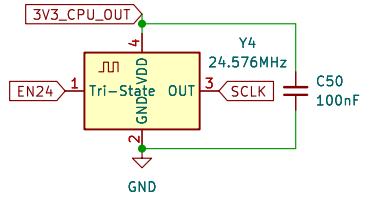
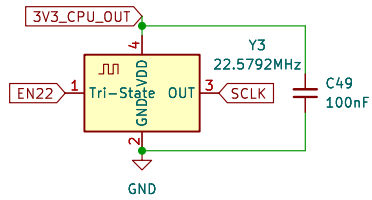
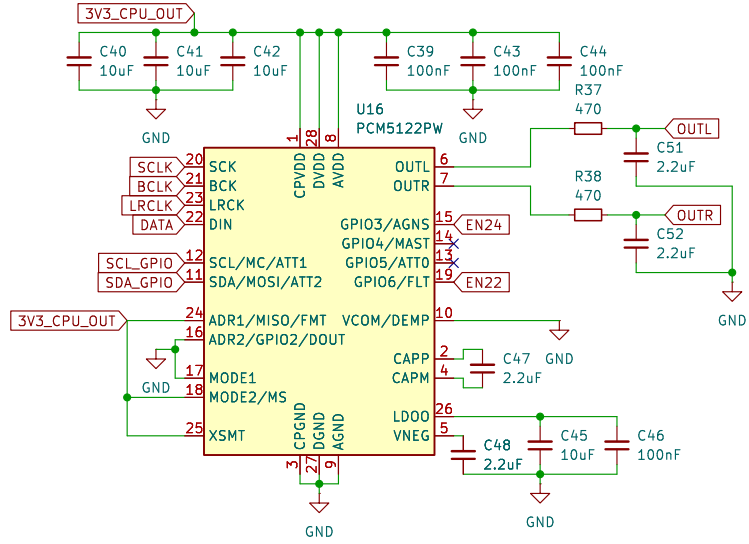
NB SD signals are only available on modules without eMMC



Sheet: /CPU/		Date:	
File: CPU.kicad_sch		Rev:	
Size: A4	KiCad E.D.A. 8.0.8		Id: 10/10



Sheet: /Ethernet/	
File: wifi.kicad_sch	
Title:	
Size: A4	Date:
KiCad E.D.A. 8.0.8	Rev: Id: 11/10



Sheet: /Sound/		Date:	
File: sound.kicad_sch		Rev:	
Size: A4	KiCad E.D.A. 8.0.8		Id: 12/10