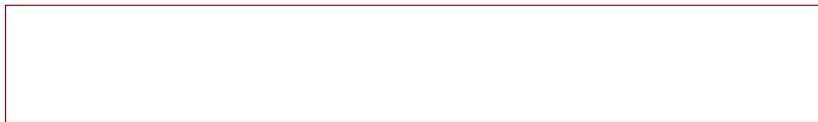


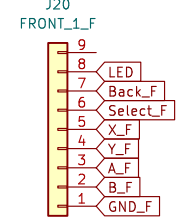
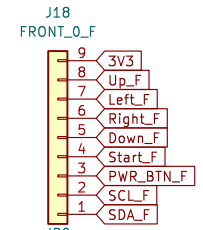
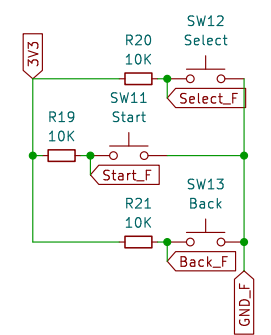
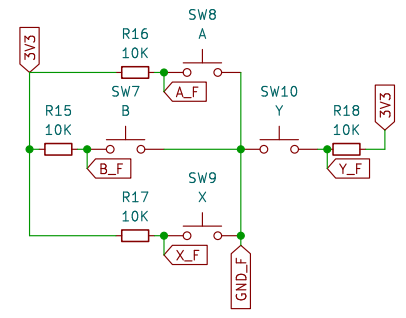
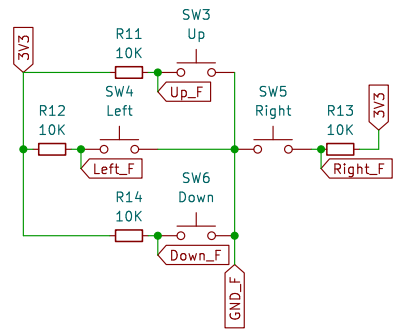
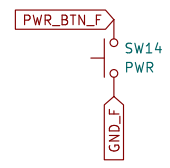
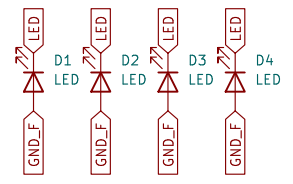
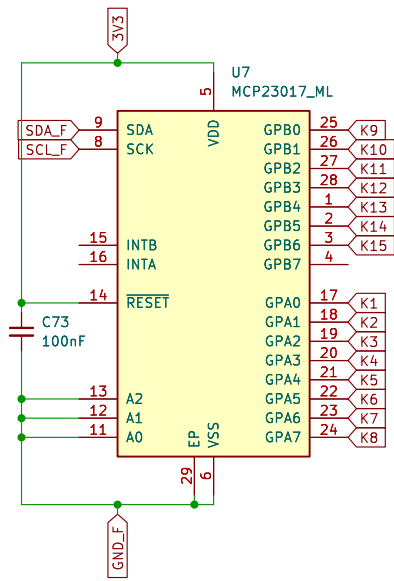
IO_Expansion_Keyboard



File: io_ex_key.kicad_sch



Sheet: /	
File: cyberraptor_keyboard.kicad_sch	
Title:	
Size: A4	Date:
KiCad E.D.A. 8.0.8	Rev: Id: 1/2



Sheet: /IO_Expansion_Keyboard/
File: io_ex_key.kicad_sch

Title:	
Size: A4	Date:
KiCad E.D.A. 8.0.8	Rev: Id: 8/2